

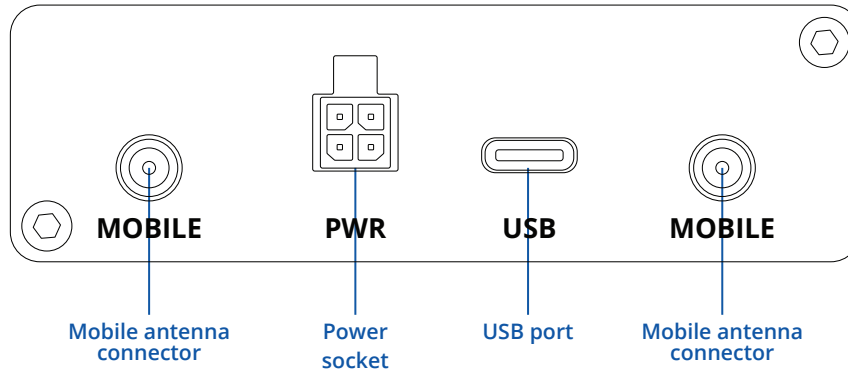


TRM500

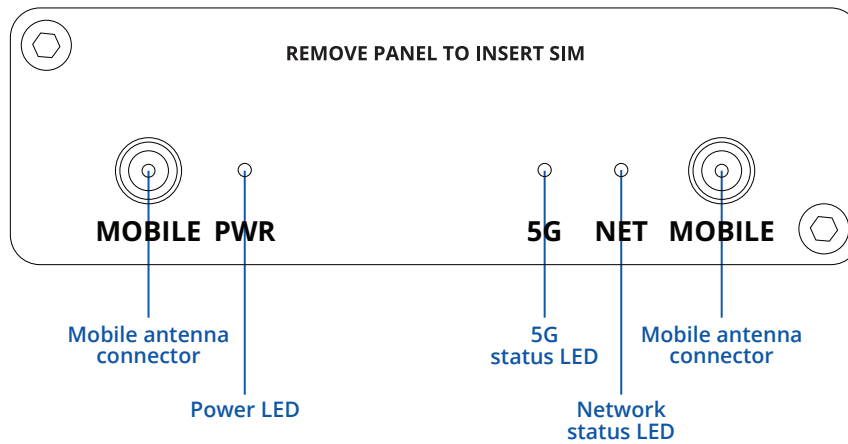


HARDWARE

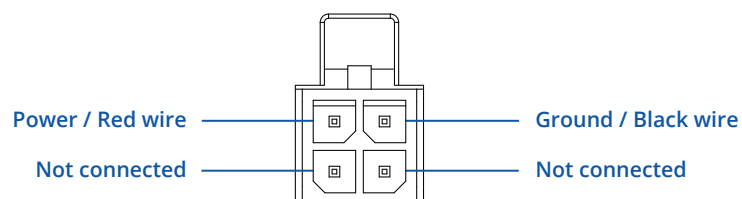
FRONT VIEW



BACK VIEW



POWER SOCKET PINOUT



FEATURES

MOBILE

| | |
|---------------|--|
| Mobile module | 5G Sub-6GHz SA: 2.4Gbps (DL)/900Mbps (UL); 5G NSA Sub-6GHz: 3.4Gbps DL (4x4 MIMO)/ 550 Mbps UL (2x2); 4G (LTE-FDD) - LTE Cat 19 1.6Gbps DL, 200Mbps UL; 3G - 42 Mbps DL, 5.76Mbps UL |
| 3GPP Release | Release 16 |

POWER

| | |
|---------------------|--|
| Connector | 1 x 4-pin industrial DC power socket 1 x USB Type-C (The USB host must provide 5V @ 3A to power the device via the USB Type-C port) |
| Input voltage range | 4-pin: 9 - 30 VDC, overvoltage protection, reverse polarity protection, surge protection >35 VDC 10us max USB Type-C: 5 VDC |
| Power consumption | Idle: < 5 W, Max: < 12 W |

PHYSICAL INTERFACES

| | |
|-------------|---|
| Status LEDs | 1 x Power LED, 1 x 5G LED, 1 x Network LED |
| SIM | 1 x SIM slot (Mini SIM - 2FF), 1.8 V/3 V |
| Power | 1 x 4-pin power connector 1 x USB Type-C (The USB host must provide 5V @ 3A to power the device via the USB Type-C port) |
| Antennas | 4 x SMA for Mobile |
| Other | 1 x Virtual network interface via USB Type-C (For power and network data) |

PHYSICAL SPECIFICATION

| | |
|------------------------|---|
| Casing material | Anodized aluminum housing and panels |
| Dimensions (W x H x D) | 83 x 25 x 85.4 mm |
| Weight | 94.5 g |
| Mounting options | DIN rail, wall mount, flat surface (all require additional kit) |

OPERATING ENVIRONMENT

| | |
|---------------------------|---------------------------|
| Operating temperature | -40 °C to 75 °C |
| Operating humidity | 10% to 90% non-condensing |
| Ingress Protection Rating | IP30 |

TRM SOFTWARE

| | |
|---------------------|--|
| Management Software | Windows Connection Manager, Modem Manager (Linux) |
| USB Serial Driver | Windows 7/8/8.1/10/11, Linux 2.6~6.3, Android 4.x ~ 13 |
| GNSS Driver | Android 4.x ~ 13 |
| RIL Driver | Android 4.x ~ 13 |
| NDIS Driver | Windows 7/8/8.1/10/11 |
| MBIM Driver | Windows 8/8.1/10/11, Linux 3.18~6.3 |
| Gobinet Driver | Linux 2.6/3.x/4.1~4.14 |
| QMI_WWAN Driver | Linux 3.4~6.3 |

REGULATORY & TYPE APPROVALS

| | |
|------------|-----|
| Regulatory | WEE |
|------------|-----|

EMC EMISSIONS & IMMUNITY

| | |
|--------------------------------------|--|
| Standards | EN 55032:2015+A1:2020 EN 55035:2017+A11:2020 EN 61000-3-3:2013+A1:2019+A2:2021 EN IEC 61000-3-2:2019+A1:2021 EN 301 489-1 V2.2.3 EN 301 489-52 V1.2.1 AS/NZS CISPR 32:2015+A1:2020 |
| ESD | EN 61000-4-2:2009 |
| Radiated Immunity | EN IEC 61000-4-3:2020 |
| EFT | EN 61000-4-4:2012 |
| Surge Immunity (AC Mains Power Port) | EN 61000-4-5:2014+A1:2017 |
| CS | EN 61000-4-6:2014 |
| DIP | EN 61000-4-11:2020 |

RF








| | |
|-----------|--|
| Standards | EN 301 908-1 V15.2.1 EN 301 908-2 V13.1.1 EN 301 908-13 V13.2.1 EN 301 908-25 V15.1.1 AS/CA S042.1:2022 AS/CA S042.4:2022 AS/CA S042.5:2022+A1:2022 FCC Part 22 |
|-----------|--|

SAFETY

| | |
|-----------|--|
| Standards | EN IEC 62311:2020 EN IEC 62368-1:2018 |
|-----------|--|

STANDARD PACKAGE*

- TRM500
- 9 W PSU
- 4 x 5G Mobile antenna (swivel, SMA male)
- 1 x hex key
- SIM Adapter kit
- QSG (Quick Start Guide)
- USB Type-C cable (0.8 m)
- Packaging box

| | | |
|---|--|---|
|  <p>TRM500</p> |  <p>9 W PSU</p> |  <p>4 X 5G MOBILE ANTENNA (SWIVEL, SMA MALE)</p> |
|  <p>1 X HEX KEY</p> |  <p>SIM ADAPTER KIT</p> |  <p>QSG (QUICK START GUIDE)</p> |
|  <p>USB TYPE-C CABLE (0.8 M)</p> | | |

* Standard package contents may differ based on standard order codes.

CLASSIFICATION CODES

HS Code: 851762

HTS: 8517.62.00

For more information on all available packaging options – please contact us directly.

AVAILABLE VERSIONS

| HARDWARE VERSION | SUPPORTED FREQUENCIES | STANDARD ORDER CODE / PACKAGE CONTAINS |
|---|---|---|
| TRM500 0***** EMEA ¹ , APAC ² , Brazil | 5G NR(SA/NSA): n1/n3/n5/n7/n8/n20/n28/n38/n40/n41/n71/ n75/n76/n77/n78 4G (LTE-FDD): FDD: B1/B3/B5/B7/B8/B20/B28/B32/B71 4G (LTE-TDD): B38/B40/B41/B42/B43 3G: B1/B5/B8 | TRM500000000 / Standard package with EU PSU |

1 - Regional availability - excluding Russia & Belarus

2 - Excluding China/Japan

The price and lead-times for region (operator) specific versions may vary. For more information please contact us.

TRM500 SPATIAL MEASUREMENTS

MAIN MEASUREMENTS

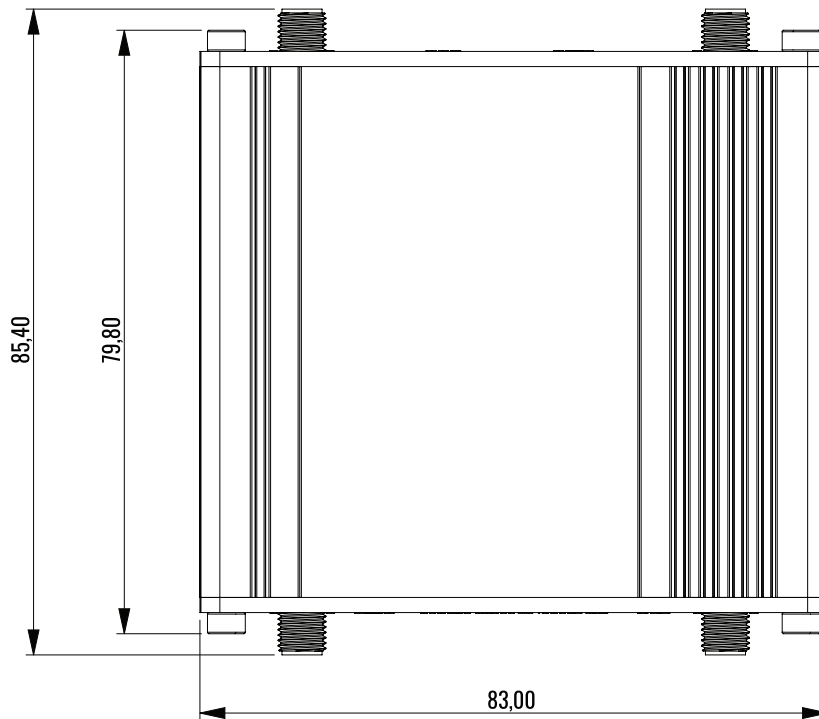
W x H x D dimensions for TRM500:

| | |
|------------------|-------------------|
| Device housing*: | 83 x 25 x 85.4 mm |
| Box: | 355 x 60 x 175 mm |

*Housing measurements are presented without antenna connectors and screws; for measurements of other device elements look to the sections below.

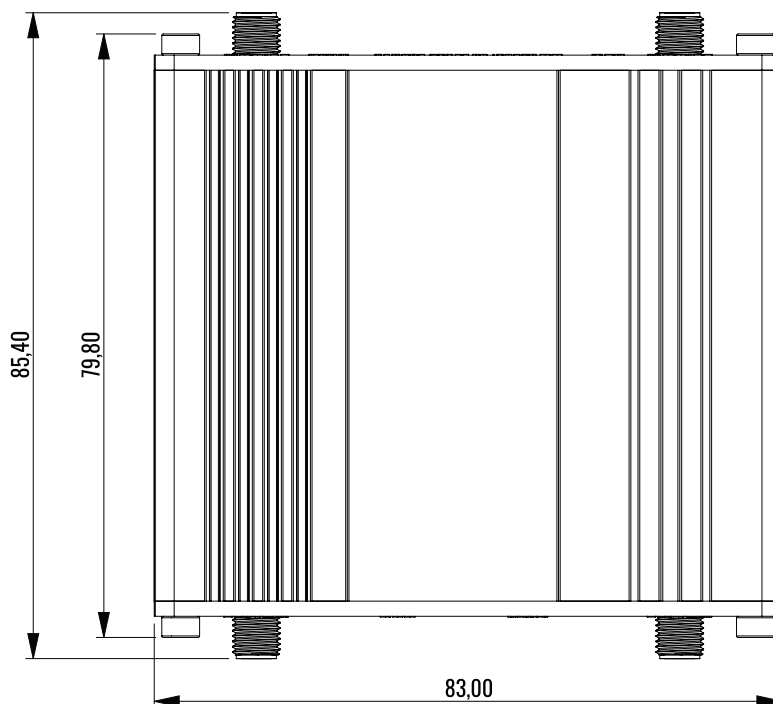
TOP VIEW

The figure below depicts the measurements of TRM500 and its components as seen from the top:



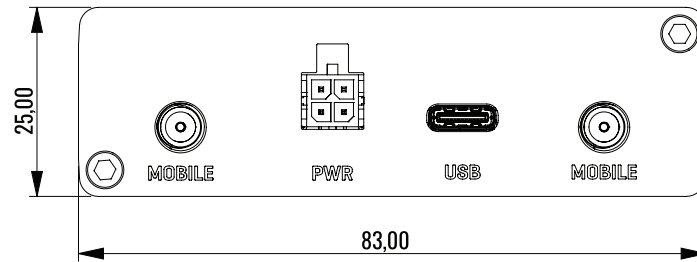
BOTTOM VIEW

The figure below depicts the measurements of TRM500 and its components as seen from the bottom:



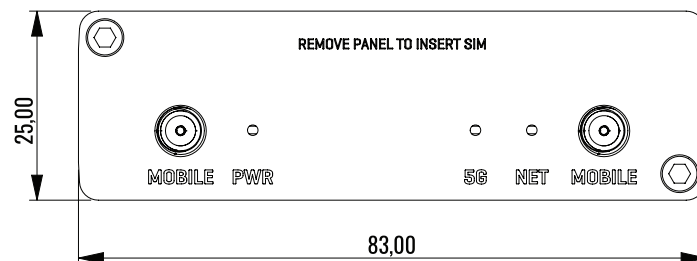
FRONT VIEW

The figure below depicts the measurements of TRM500 and its components as seen from the front panel side:



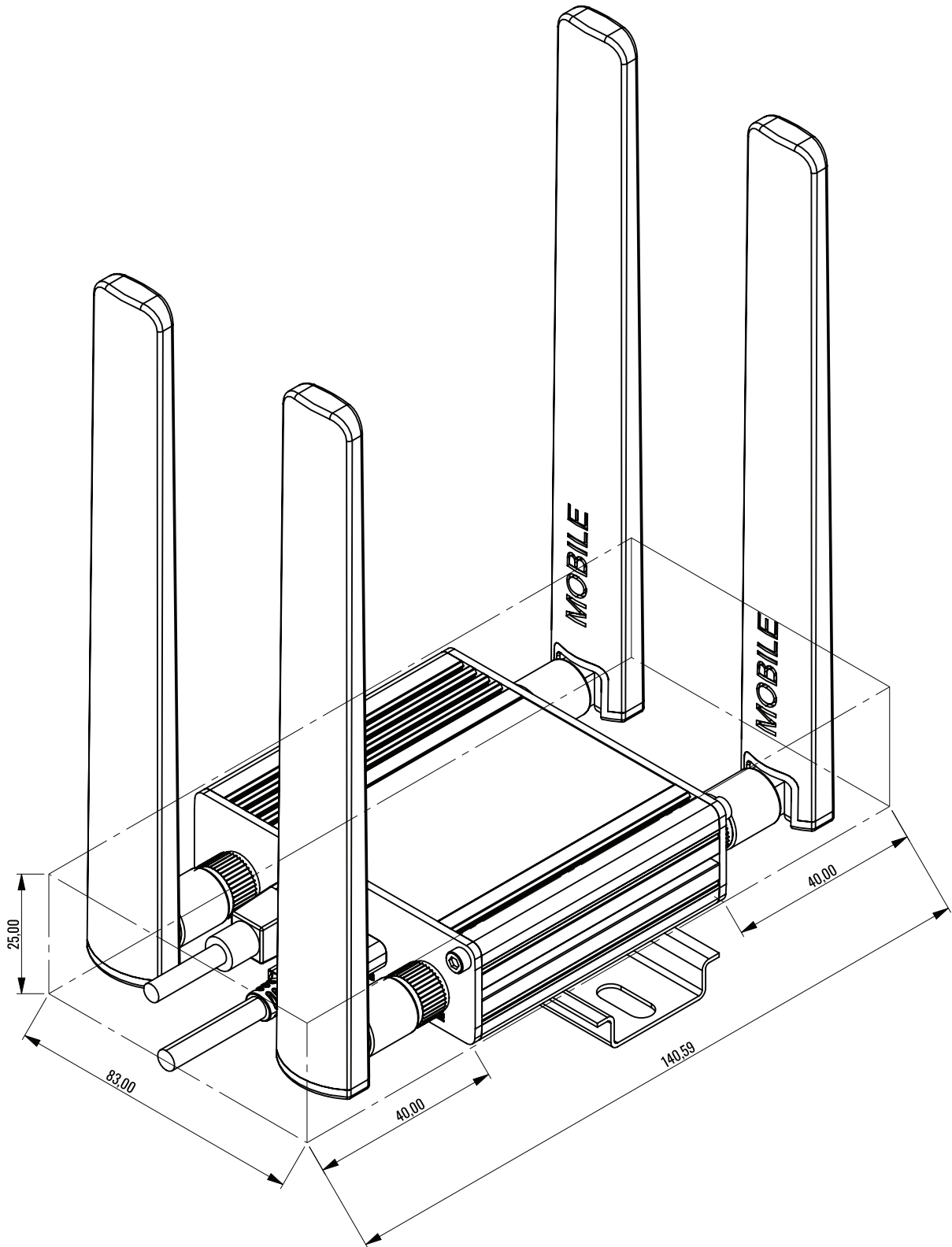
REAR VIEW

The figure below depicts the measurements of TRM500 and its components as seen from the rearpanel side:



MOUNTING SPACE REQUIREMENTS

The figure below depicts an approximation of the device's dimensions when cables and antennas are attached:



DIN RAIL

The scheme below depicts protrusion measurements of an attached DIN Rail:

